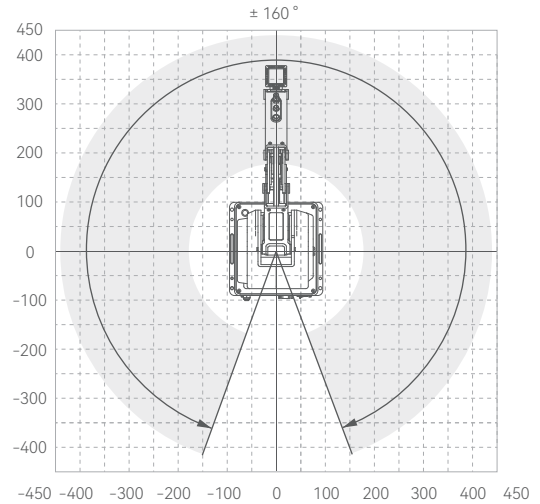
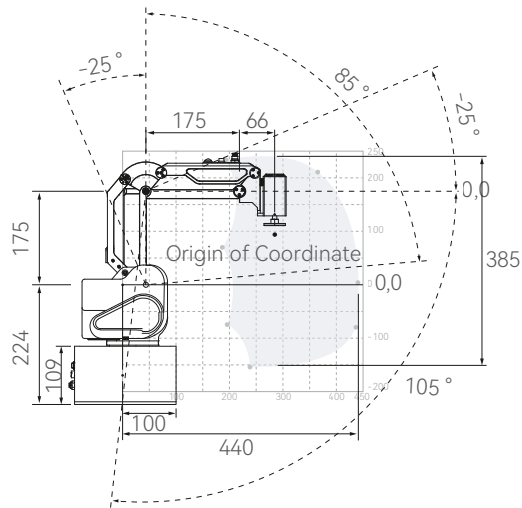


Product Specifications



Model	MG400	
Number of Axes	4	
Payload	500 g (Max 750 g)	
Working Radius	440 mm	
Repeatability	±0.05 mm	
Range of Motion	J1	±160°
	J2	-25° to 85°
	J3	-25° to 105°
	J4	-360° to 360°
Maximum Joint Speed	J1	300°/s
	J2	300°/s
	J3	300°/s
	J4	300°/s
Power	100 to 240V AC, 50/60 Hz	
Rated Voltage	48V DC	
Power Consumption	150W	
Communication Interface	TCP/IP, Modbus TCP	
Installation Orientation	Desktop	
Weight	8 kg	
Base Dimensions	190 mm × 190 mm	
Working Environment	0° to 40° C	
Software	DobotStudio Pro, SCStudio	