

TECHNICAL DATA

General Data

Force	Max. 6000N push / 4000N pull
Speed adjustment	Max. 19mm/s
Stroke	Max. 600mm
Installation dimension (A)	Stroke + 200mm (min. 300mm)
Duty cycle	10% / 20min (AB 2/18)
Position feedback	Optional
Supply voltage	12VDC, 24VDC
Integrated limit switch	Yes
End position signal	Optional
Protection class	IP69K (static)
Storage temperature	-40°C to +80°C
Potentiometer	Optional

Components

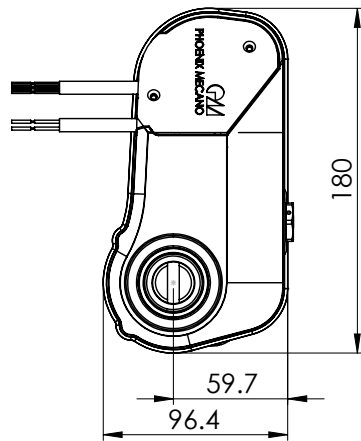
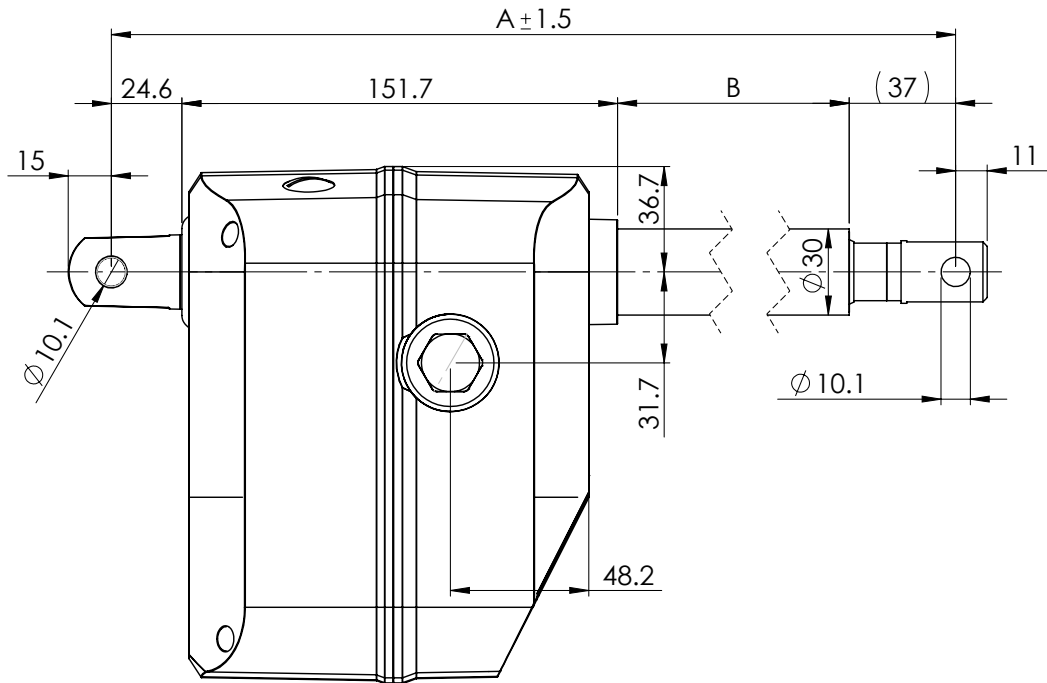
Rod end	Stainless steel, hole 10.1mm
Housing end	Die-cast aluminum, hole 10.1mm
Lifting tube material	Stainless steel
Housing material	Die-cast aluminum
Housing color	Similar to RAL 9005, black
Connection	Cable (open cable end) incl. plug (drive end)
Cable length	1.5m, 3m, 5m
Options	Special strokes and special installation dimensions adjustable ex works Special strokes also adjustable by the customer Emergency actuation

TECHNICAL DATA

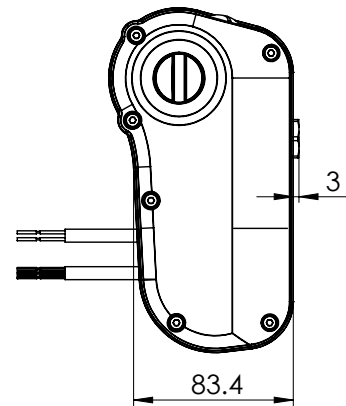
More Data

Control	Voltage polarity
Position feedback	Potential-bound limit signal

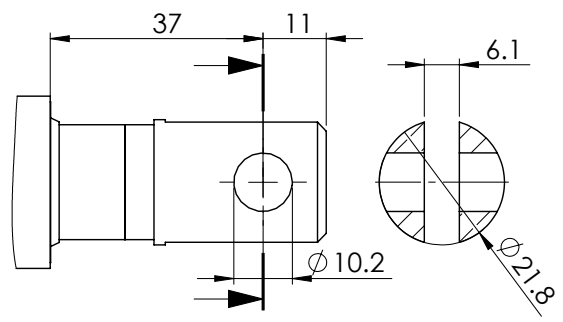
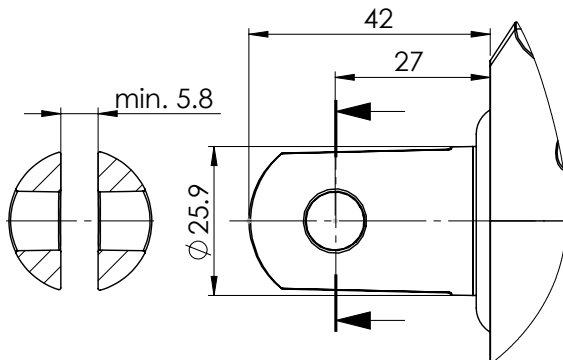
TECHNICAL DRAWING



Hintere Aufhängung
Rear suspension:



Vordere Aufhängung
Front suspension:



Stroke (mm)	100	150	200	250	300	350	400	500	600
Dimension A(mm)	300	350	400	450	500	550	600	700	800

PERFORMANCE DATA

